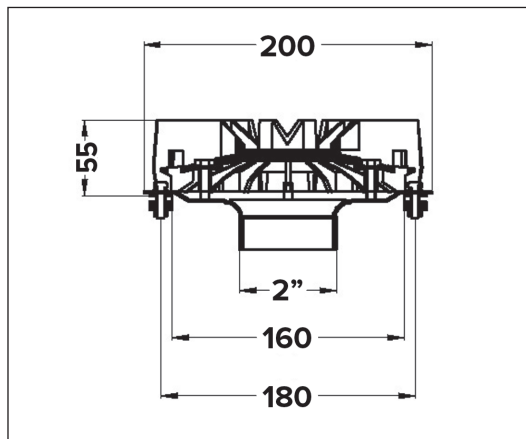


AKASISON R63 FOR GUTTERS

ARTICLE CODE: 74 06 50



According to EN 1253

Gutter outlet for siphonic roof drainage systems including air baffle.

- Including: Siphonic air baffle
Gutter connection set
- Outlet: 63 mm
Hole in gutter Ø 160 mm
Connection to HDPE pipe system with article code 749283
- Material: Stainless steel body, coated aluminium air baffle, stainless steel fasteners
- Weight: 1.4 kg

Drainage capacity according to EN 1253

Water level	20 mm	25 mm	30 mm	35 mm	40 mm	43 mm	45 mm	50 mm	55 mm
Capacity [l/s]	2,1	4,4	6,7	8,9	11,2	12,9	12,9	12,9	12,9

- Packaging: 1 piece
- Discount group: AD
- Stand: 04.2016