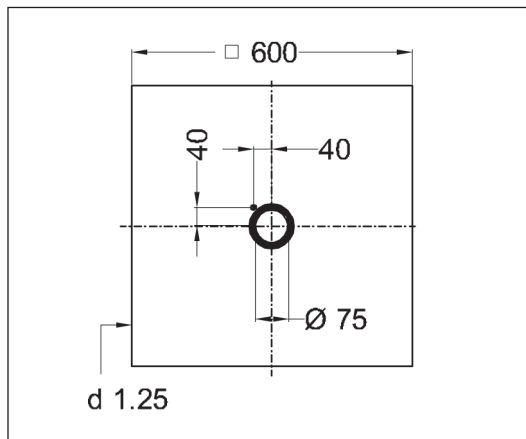
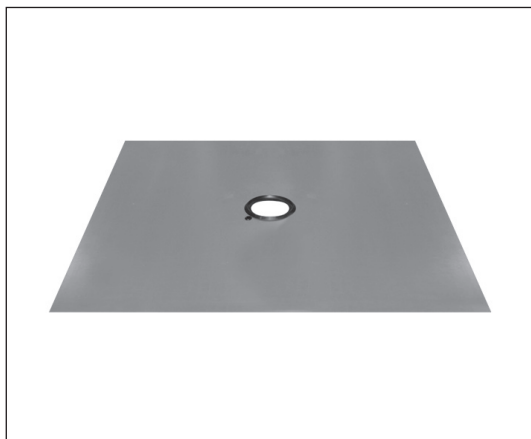


ARTICLE NUMBER: 74 77 12



For a vapour sealed installation of the Akasison XL75 in metal roofs. Includes a metal reinforcing plate and rubber connection.

Reinforcement plate:	600x600x1.25 mm
Seal opening for:	HDPE DN 70 (d 75 mm) Hole size Ø □ 105 mm Including vapour sealed opening for heating cable
Material:	Steel, EPDM
Weight:	3.2 kg
Packaging:	1 piece
Discount group:	AD
Version:	06.2016