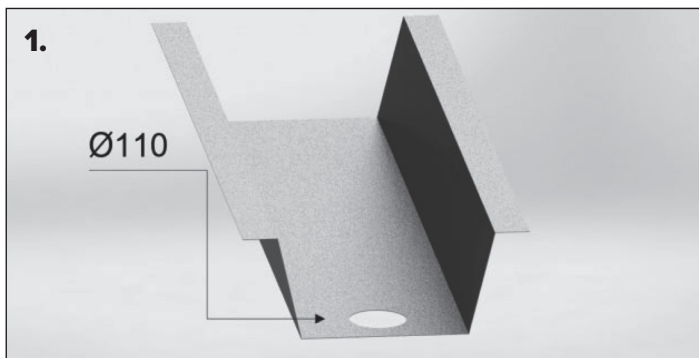


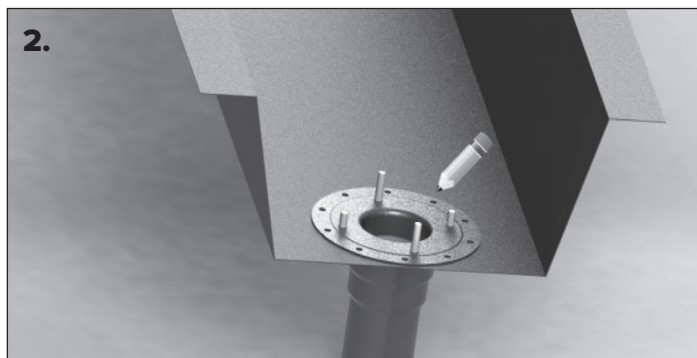
AKASISON GUTTER OUTLET L/XL75 FOR METAL GUTTER



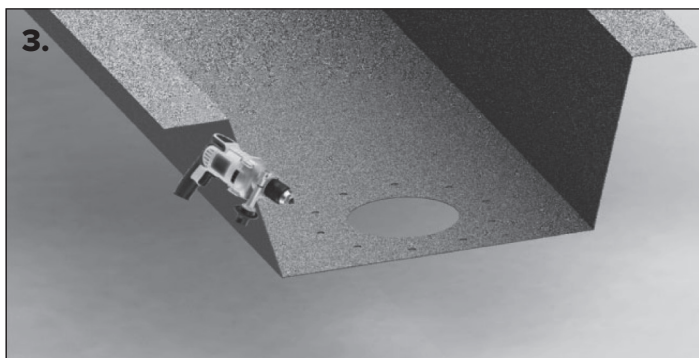
Akasison gutter outlet XL 75



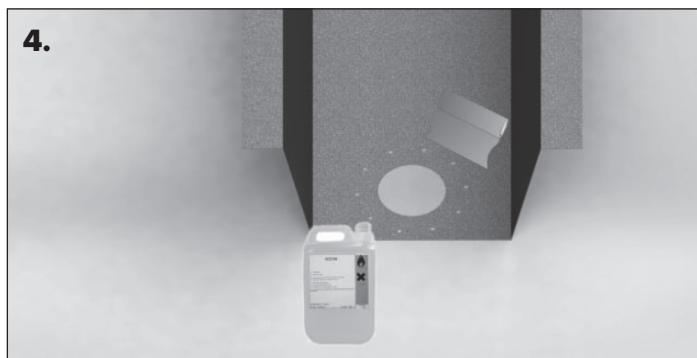
1. Drill or cut hole of Ø 110 mm in the metal gutter.



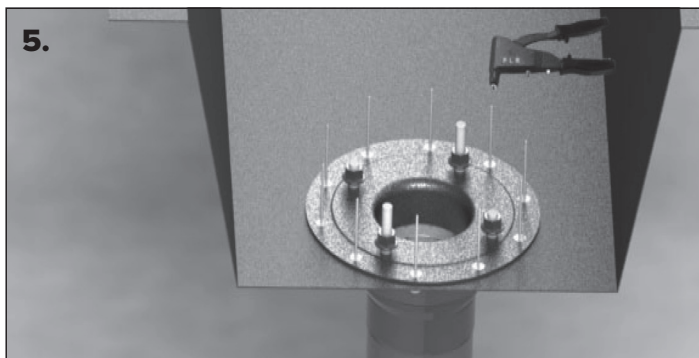
2. Insert outlet and mark area covered by outlet. For example use acetone.



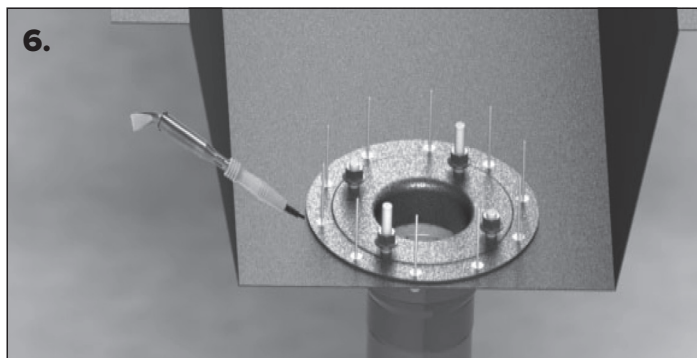
3. Drill hole for pop-rivets Ø 6 mm.



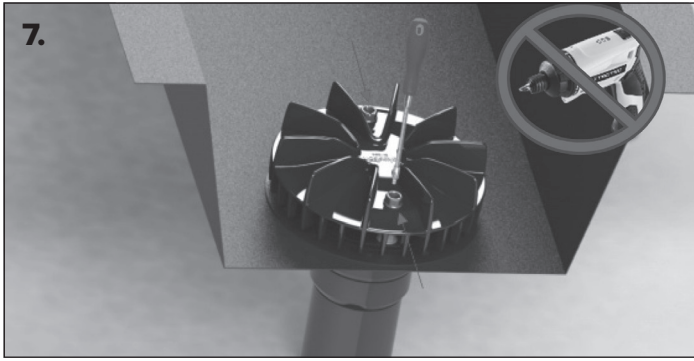
4. Clean and degrease area of outlet, using acetone for example.



5. Mount the pop rivets.



6. Solder outlet and pop rivets watertight to the gutter.



Mount the air baffle with the nuts supplied. Do not use an electric screwdriver.