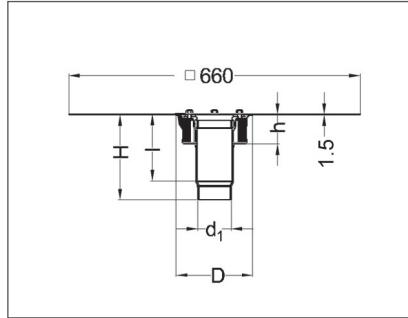


Akasison XL75 reinforcement plate with vapour barrier connection and fire protection

Code 747722



According to DIN 18807

For a fast and vapour sealed installation of the Akasison XL75 in metal roofs and for pre-completion building drainage when insulation and roof outlets are not yet installed. Includes a small metal plate and HDPE connection pipe.

Delivery includes:	Galvanised reinforcement plate 660x660x1,5 mm Akasison fire collar HDPE socket with SBR seal Flange and EPDM seal
Application:	Warm roof and applications according to DIN 18234
Drilling core size:	Ø □ 160 mm
Connection pipe system	Electrofusion coupler Code 410795 Snap socket Code 400730 Pre-completion building drainage possible
Material:	HDPE, galvanised steel, stainless steel, SBR and EPDM
Weight:	4,9 kg
Packaging:	1 piece
Discount group:	AD
Date:	08.2021