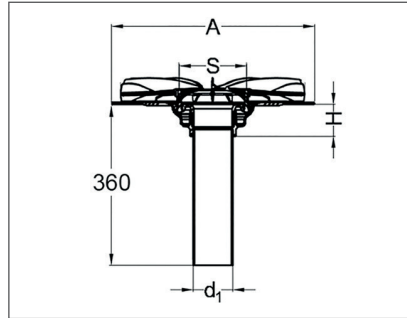


Akasison roof outlet XL90 FPO/TPO-PP

Code 749016 / 749017



According to EN 1253

Roof outlet for FPO/TPO roof membranes for Akasison siphonic roof drainage systems.

Delivery includes:

- Leaf guard set Code 749053
 - Air baffle with integrated leaf guard (UV-stabilized)
 - Bolts
- Akasison XL90 roof outlet FPO/TPO Code 749046 or 749047 (heated)
 - Roof outlet with PP clamp flange for connection with FPO/TPO roof sealing membrane
 - Connection to HDPE
 - Heated model includes a self-regulating 230V heating element, cable length 1 m.

Application: Cold roof/warm roof
 Insulation thickness: Roof insulation between 60 and 300 mm
 Connection pipe system: Electrofusion coupler Code 410995
 Dimensions: $d_1 = 90$ mm
 $H = 55$ mm
 $S = 180$ mm
 $A = 455$ mm
 Drilling core size: $\varnothing \square 100$ mm, 140 mm in combination with installation socket Code 749201
 Outlet: $d_1 = 90$ mm
 Performance: 1-29,0 l/s
 Material: HDPE, PP, ASA (UV-stabilized)
 Weight: 2,3 kg

Capacity according to EN 1253

Code	Type	Description	Weight (kg)
749016	Akasison XL90 FPO/TPO-PP	FPO/TPO-PP	2,3
749017	Akasison XL90 H FPO/TPO-PP	FPO/TPO-PP, heated	2,4

Water level	25 mm	35 mm	45 mm	55 mm	65 mm	75 mm
Capacity [l/s]	10,10	17,65	25,30	29,00	29,00	29,00

Packaging: 1 piece
 Discount group: AD

Date: 07.2021