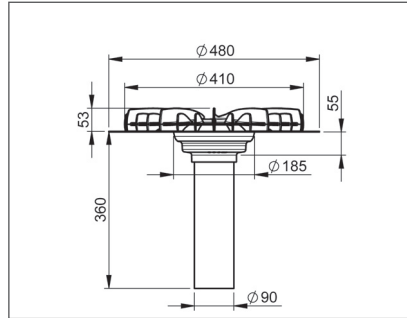


Akasison metal roof outlet XL90 bitumen

Code **749342 / 749343**



According to EN 1253

Metal outlet for bitumen roof membranes for Akasison siphonic roof drainage systems.

Delivery includes:	Akasison air baffle with integrated leaf guard (UV-stabilized) ASA Anti punching for protection of bitumen membrane PE connector to pipe system Fireproof lid for protection during application of roofing membrane Optional without extra charge EPS insulating block Heated model includes a self-regulating 230V heating element, cable length 1 m.
Application:	Cold roof/warm roof
Insulation thickness:	Roof insulation between 60 and 330 mm
Connection pipe system:	Electrofusion coupler Code 410995
Drilling core size:	Ø □ 100 mm
Outlet:	d _i = 90 mm
Performance:	1-29,0 l/s measured according to EN1253 setup
Material:	AISI 304, HDPE, ASA (UV-stabilized)
Weight:	3,6 kg

Capacity according to EN 1253

Code	Type	Description	Weight (kg)
749342	Akasison 90 Metal	Metal	3,6
7493413	Akasison XL90 H Metal	Metal, heated	3,7

Water level	25 mm	35 mm	45 mm	55 mm	65 mm	75 mm
Capacity [l/s]	10,10	17,65	25,30	29,00	29,00	29,00

Sales unit:	1 piece
Discount group:	AD
Date:	08/2021