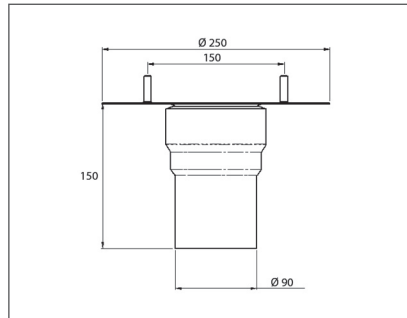


# Akasison roof outlet XL90 for concrete gutter

Code 749801



According to EN 1253

Roof outlet for gutter for Akasison siphonic roof drainage systems.  
With holes for application in metal gutter (clad).

Delivery includes:	Air baffle with integrated leaf guard (UV-stabilized) Knock-in bolts for installation concrete gutter. Connection to HDPE
Application:	Concrete gutter
Insulation thickness:	n.a.
Connection to HDPE:	Electrofusion coupler d90 mm Code 410995
Drilling core size:	Ø □ 130 mm
Performance:	1-23,4 l/s
Material:	ASA, stainless steel, PVC, HDPE

Code	Type	Description	Weight (kg)
749801	Akasison XL90 CON	Concrete gutter	1,3

Packaging: 1 piece  
Discount group: AD

Date: 09.2021